

INSTALLING INSTRUCTIONS

GENERAL INFORMATION

This hood has been arranged to be installed over a cook top arranged in a peninsula or island. The hood can be fixed to the ceiling or to another support member by means of a trestle that can be adjusted in height. It can be used on the ASPIRATING types (external exhaust) or on the FILTERING types (internal recycling). We suggest to have installation carried out by qualified personnel, in compliance with all the current regulations and in particular with the ones concerning air exhaust. The manufacturer cannot be held liable for damages caused by improper installation or if it has not been carried out according to the state-of-the-art.

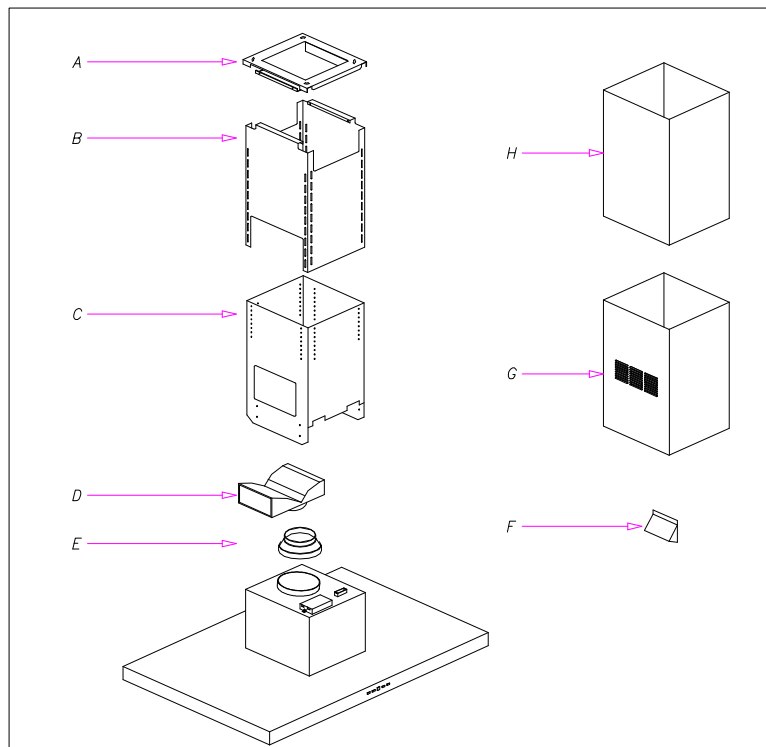
SAFETY

- a- Do not connect the appliance discharge to exhaust ducts of smokes produced by combustion that is not supplied by electrical power.
- b- The minimum safety distance between cooking counter and the hood is 65 cm.
- c- In the case in which both the hood and apparatuses emit fumes, do not operate electrical energy. A sufficient aeration of the setting needs to be created. Proper use without risks is obtained when the maximum depression of the room does not exceed 4 Pa (4x10 bar).

COMPONENTS

- A- Island ceiling bracket.
- B- Upper telescopic trestle.
- C- Lower telescopic trestle.
- D- Baffle plate.
- E- Reduction fitting dia. 120/150.
- F- Bag with accessories and screws.
- G- Lower telescopic stack.
- H- Upper telescopic stack.

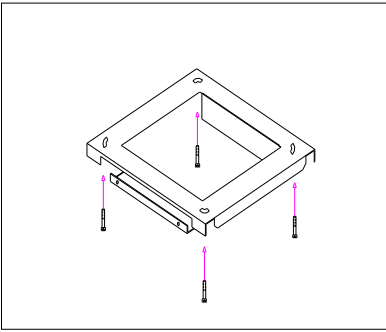
COMPONENTS



INSTALLATION

ANCHORAGE OF THE UPPER PANEL TO THE CEILING.

Fix the upper panel to the ceiling well using the supplied screws.

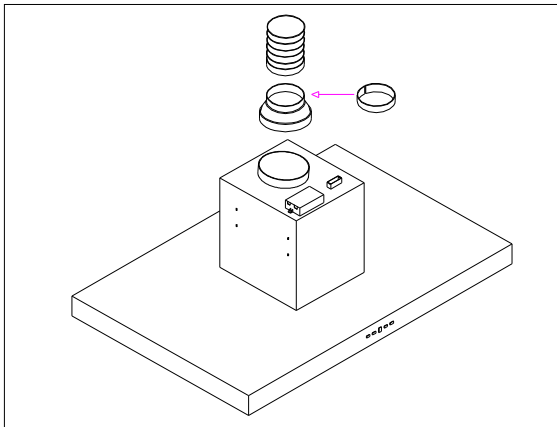


HOW TO ASSEMBLE THE HOOD **ASPIRATING TYPES (EXTERNAL EXHAUST)**

Preferably use a dia 150 or dia 120 tube, or possibly flexible, and fix it with a hose damp to the reduction fittin. (not supplied)

Only when the hood will be fix to the ceiling connect the scavenging pipe to the outdoor duct and fix a pipetigh-tening ring.

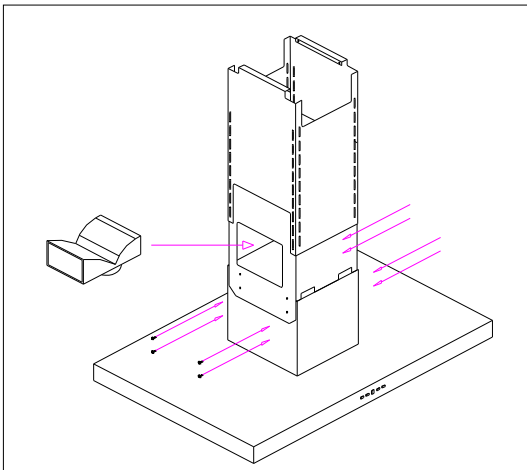
Do not assemble the active carbon filters.



HOW TO ASSEMBLE THE HOOD **FILTERING TYPES (INTERNAL RECYCLING)**

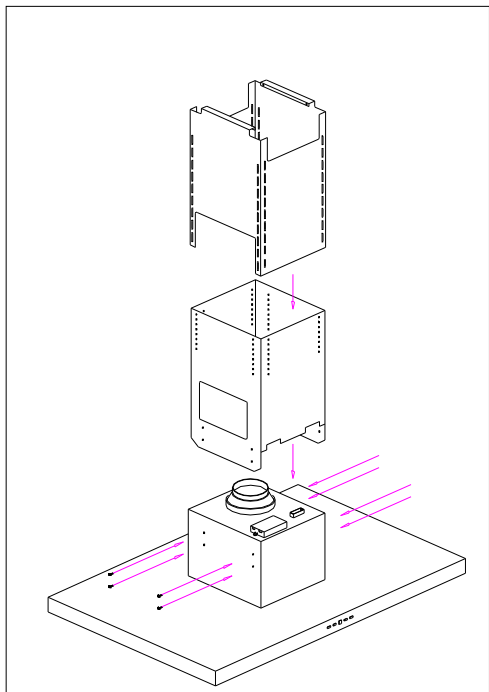
Assemble the lower telescopic trestle and fix it to the motor box using the supplied screws.

Then insert the baffle plate on the lower trestle on the lateral exhaust and assemble it on the collar of the motor, as in the picture.



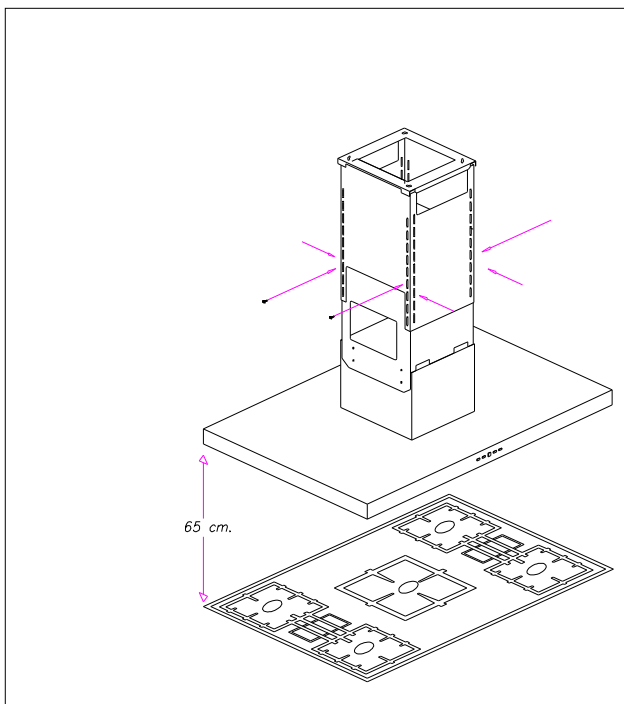
COUPLING OF TELESCOPIC TRESTLES TO THE HOOD FRAME

Slide the lower telescopic trestle into the motor box of the hood and fix it with the supplied screws. Slide the upper telescopic trestle outside of that lower.



FIXING UPPER TELESCOPIC TRESTLE TO THAT LOWER

Adjust the height so that the lower part of the hood, which is to be assembled afterwards, is arranged at least 65cm from the cook top.
Couple the two trestles by means of the screws included in the supply.
This operations must be performed with the hood on the floor.

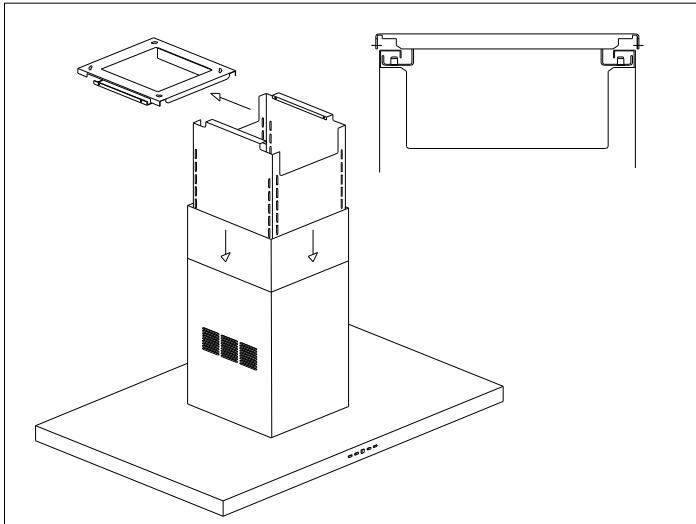


HOW TO ASSEMBLE THE TELESCOPIC STACKS AND THE HOOD FRAME

Slide the lower telescopic stack outside of the trestle and carefully put it on the special loading in the upper part of the body hood.

Slide the upper telescopic stack into that lower.

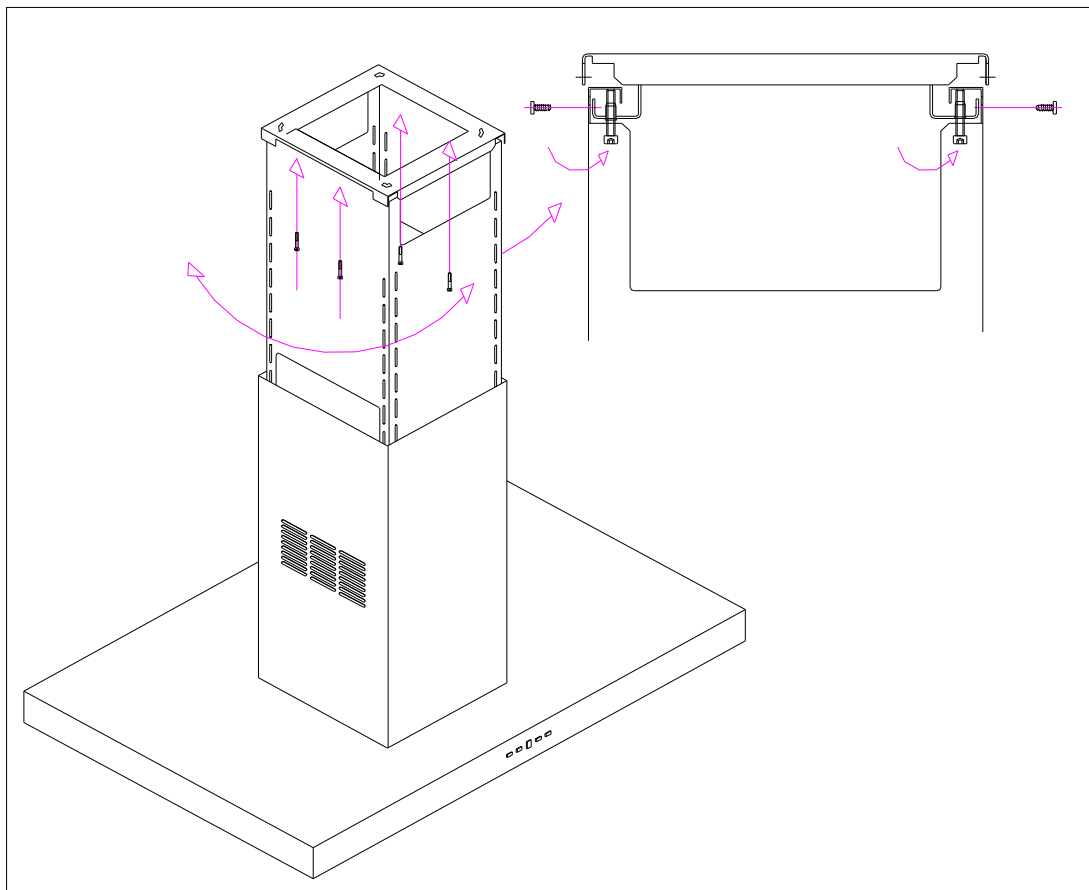
Lift the body hood and draw with the upper part of the trestle to the ceiling bracket, sliding the structure to the bracket through the guides as shows the pictures.



SET THE FLATNESS OF THE HOOD

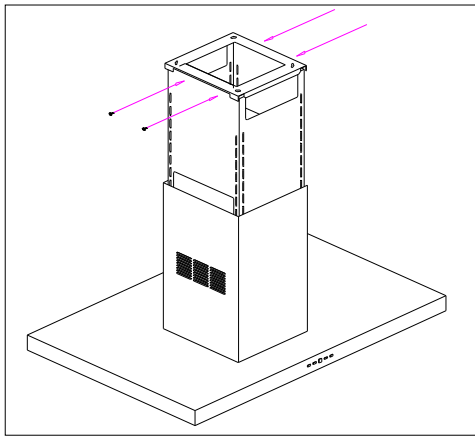
Fix the screws included, as shows the picture.

Act on them to set the flatness of the hood.



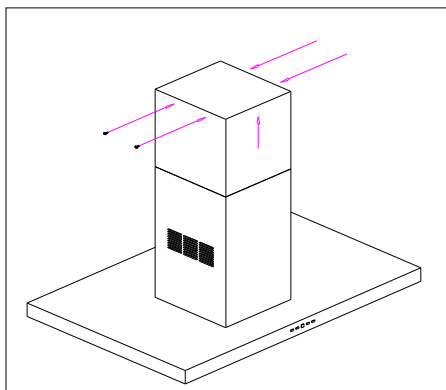
FIXING THE STRUCTURE OF THE HOOD TO THE CEILING BRACKET

Set the flatness, fix the upper trestle telescopic to the ceiling bracket with the supplied screws.
See the picture.



FIXING THE UPPER TELESCOPIC STACK

Lift the lower telescopic stack and fix it to the ceiling bracket with the supplied screws.
See the picture.



HOW TO CONNECT TO THE ELECTRICAL MAIN

Check to see that the main voltage complies with the one required by the hood, which is indicated on the tag that is applied on the internal side of the appliance. Assemble a suitable plug on the wire or insert a proper power two-pole switch if it is to be directly connected to the main with a 3mm minimum opening between contacts between the main and the appliance. All the above-mentioned electrical parts must comply with the current standards. The yellow/green earthing cable must not be interrupted.

OPERATING CHECK :

Check lights and motor start-up in the several speed.